

9100/9105

Installation and User Guide



Compatible Equipment

9026	Remote Keypad white flush
9028	Remote Keypad (Polycarbonate)
9124	4 Circuit Expansion PCB
9174	8 Circuit Expansion Box
9056	Plug on communicator
9058	Plug on Digital Communicator
9075	Plug on interface
9076	Plug on interface
	Plug on STU (manufactured by others)

Introduction

The Series 9100 Electronic Intruder Alarm System is designed to be fully programmable by the alarm company engineer to suit the particular site requirements and to meet with the individual user needs.

The system is a four zone alarm system, which may be expanded to an eight zone or a sixteen zone system by means of optional plug-in expansion printed circuit boards.

All instructions given in this manual refer to software version 3.0 19:10:89.

The panel is supplied with an integral keypad. Up to two remote keypads (9028) may be fitted as required. An integral speaker is also provided with facilities for an additional two (max) 9040, 16 Ohm internal speakers. A Plug-on communicator may be fitted to the 9100 control panel.

The 9105 is an end station version to which you can connect up to three remote keypads.

Technical Specification

Temperature Range:	-10° C to 40° C. Humidity up to 80% (non-condensing).
Dimensions panel:	8 zone = h x w x d 340 x 260 x 90 mm. 16 zone = h x w x d 480 x 260 x 90 mm.
Dimensions Remote Keypad:	h x w x d 180 x 110 x 40 mm.
Weight panel:	8 zone = 4.6 Kg. 16 zone = 7.6 Kg.
Weight Remote Keypad:	340 g.
Mains supply:	220-240V AC with LED indicator.
Battery Charging Voltage:	13-8 V DC with fail monitor.
Current Consumption:	8 zone: Quiescent 95 mA, Active 500 mA. 16 zone: Quiescent 190 mA, Active 1000 mA.
Communicator:	Quiescent 35 mA/Active 145 mA.
Remote Keypad:	Quiescent 15 mA.
Communicator Signals:	Fire (AUX Alarm), Intruder, Open/Close, PA, Trouble, Low Battery, Spare Channel Line Fault, Communication Fault.

Wiring

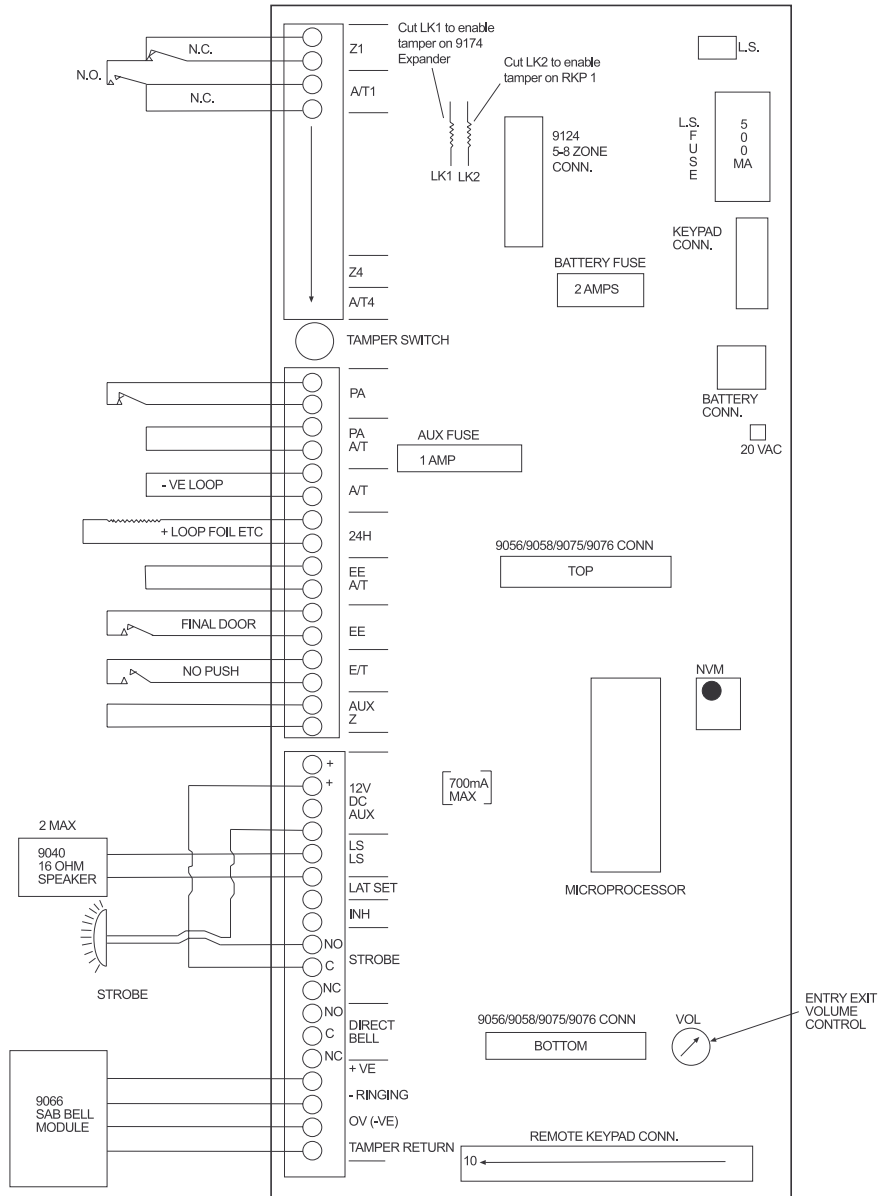


Figure 1. 9000 PCB Layout

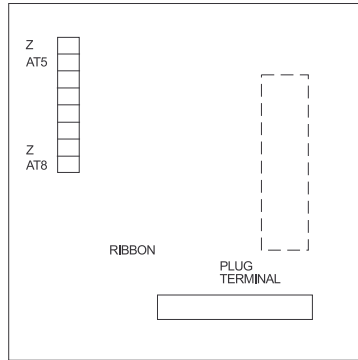


Figure 2. 9124 5-8 Zone Expansion Board

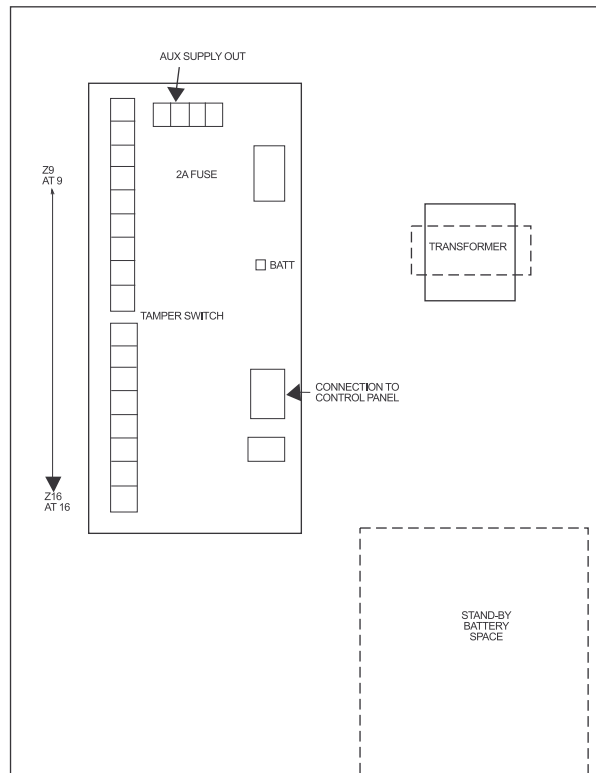


Figure 3. 9174 16 Zone Expansion Unit

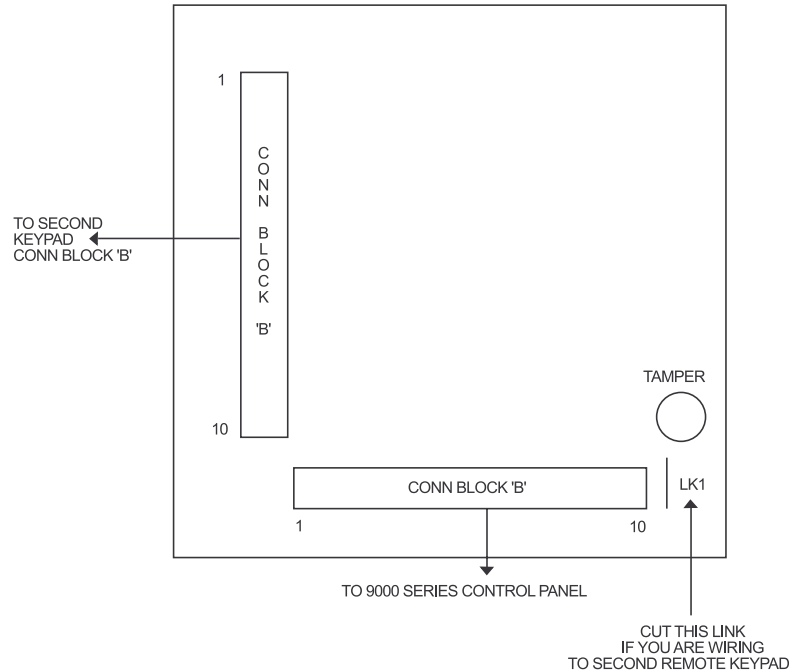


Figure 4. Remote Keypad PCB

Programming

Initial Start Up

Ensure that connections for Auxiliary DC Power, Strobe and Bells (Including SAB module) are not connected.

1. Switch on mains supply to panel.
The green 'Power' LED glows and the internal sounder will sound.
2. Key-in 1234 (user Default Code).
Ignore any LEDs at this stage.
3. Key-in 0 + Enter + 7890 (Engineer Default Code).
The display clears.
4. Ensure that the panel lid is open.

You are now in programming mode.

5. Connect the battery, auxiliary power, strobe and bells (including SAB module).

9. Carry on to program the system.

When you have completed programming the system:

1. Close the panel lid.
2. Key in 99 + ENTER.
You are now in Day mode.

Engineering Program Commands

To change:	Key-in:	Then:	Notes:	Default
Zone 1 to 16	1 to 16 ENTER	20	Entry route zone disabled	
		21	Entry rout zone enabled	✓
		30	Soak test disabled	✓
		31	Soak test enabled	
		40	Omit Allow enabled	
		41	Omit Allow disabled	✓
		50	Chime disabled	
		51	Chime enabled	✓
		60	Part set guard disabled	
		61	Part set guard enabled	✓
		70	24Hr zone disabled	✓
		71	24Hr zone enabled	
		80	Double knock disabled	✓
		81	Double knock enabled	
90	Beam pairing disabled	✓		
91	Beam pairing enabled			

Press ENTER once you have keyed in the chosen commands.

To change:	Key-in	Then	Notes:	Default
Engineer Code	20 ENTER	new code ENTER	(4 to 8 digits)	7890
Customer Code	21 ENTER	new code ENTER	(4 to 8 digits)	1234
Silent PA	30 ENTER	0 ENTER	No	
		1 ENTER	Yes	✓
Line Fault	31 ENTER	0 ENTER	No	✓
		1 ENTER	Yes	
Engineer Reset	32 ENTER	0 ENTER	No	
		1 ENTER	Yes	✓
Lock Set	33 ENTER	0 ENTER	No	✓
		1 ENTER	Yes	
First Circuit Lockout	34 ENTER	0 ENTER	No	
		1 ENTER	Yes	✓
Mains Fail Indication	36 ENTER	0 ENTER	No	✓
		1 ENTER	Yes	

To change:	Key-in:	Then:	Default	
Auto Re-Arm	40 ENTER	1 ENTER	Never	
		2 ENTER	Once	
		3 ENTER	Twice	
		4 ENTER	Three times	
		5 ENTER	Four times	
		6 ENTER	Five times	
		7 ENTER	Six times	
		8 ENTER	Always	✓
Bell Delay	41 ENTER	1 ENTER	Nil	✓
		2 ENTER	1.5 minutes	
		3 ENTER	3 minutes	
		4 ENTER	5 minutes	
		5 ENTER	10 minutes	
		6 ENTER	15 minutes	
		7 ENTER	20 minutes	
		8 ENTER	Endless	
Bell Time	42 ENTER	see command 41	Endless	
Entry time	43 ENTER	1 ENTER	10 seconds	
		2 ENTER	20 seconds	
		3 ENTER	30 seconds	
		4 ENTER	1 minute	
		5 ENTER	1.5 minutes	
		6 ENTER	2 minutes	
		7 ENTER	5 minutes	✓
		8 ENTER	Endless	
Exit time	44 ENTER	see command 43	Endless	
Final Door Set	51 ENTER	0 ENTER	No	✓
		1 ENTER	Yes	
Final Exit Part Set Guard	62 ENTER	0 ENTER	No	✓
		1 ENTER	Yes	
Part Set Guard Timed Set	64 ENTER	0 ENTER	No	✓
		1 ENTER	Yes	
Part Set Entry Circuit	65 ENTER	0 ENTER	No	✓
		1 ENTER	Yes	
Part Set Full Alarm	66 ENTER	0 ENTER	No	✓
		1 ENTER	Yes	
Event log	90 ENTER	Press and hold any key to scan Press Omit to stop log		
Test External Bells	91 ENTER	Bell output operates Press Omit to end Bell test		
Test Strobe	92 ENTER	Strobe output operates Press Omit to end Strobe test		
Test Internal sounder (loud)	93 ENTER	Sounder operates Press Omit to end sounder test		

To change:	Key-in	Default
Test keypad sounder (soft)	94 ENTER	Sounder operates Press Omit to end test
Test Set Latch	95 ENTER	Set latch operates Press Omit to end test
Test Display	96 ENTER	Display test operates Press Omit to end test
Engineer Walk Test	97 ENTER	Press Omit to stop
Load Defaults	98 ENTER	
Leave Programming	99 ENTER	Use also for Engineer Reset

Engineer Reset

1. Key-in 0 + Enter + 7890 (Engineer Default Code).
The display clears.
2. Key-in 99 + Enter.
The 'Day' LED glows. You have now performed an engineer full reset.

Re-enter Programming Mode

1. Key in 0 + Enter + 7890.
2. Remove the panel lid.

You are now in programming mode.

Load Defaults

The control panel can retain all programmed information and access codes if both mains and battery power fail. When power is restored the panel will simply need resetting with the customer or engineer's access code.

If you cannot gain access to the system then you may need to load factory defaults:

1. Power down the system, both mains and battery.
2. Remove the NVM chip carefully.
3. Power up the system, battery first then mains.
4. Re-fit the NVM chip.
The system loads factory defaults.
5. Key in 1234 to cancel any sounders and proceed as normal.

Displays

Alarm Displays

Display	LED	Condition
Zn No.	Alarm	Zone Alarm
Zn No.	Tamper	Zone Tamper
t	Tamper	Unit/Bell or A/T Loop
U	Tamper	Keyboard Tamper (excess keypresses)
H	Tamper	24 Hour Loop Tamper
Zn No.	Alarm	24 Hour Day Tamper If Zone Selected as a 24 Hour Zone
P	Alarm	P.A. Circuit Alarm
P	Tamper	P.A. Circuit Tamper
A	Alarm	Auxiliary Alarm (Fire)
E	Alarm	Entry Alarm
E	Tamper	Entry Tamper
O	–	Zone Omitted
n	–	Panel (System) Armed
d	–	Panel (System) Disarmed
c	–	Customer Reset
r	–	Engineer Reset

Fault Displays

Display	LED	Condition
L	Fault	Line Fault (9058/9056 Communicator)
C	Fault	Communication Fault
1	Fault	Mains Fault
2	Fault	Battery Fault
3	Fault	Aux Power Failure (Auxiliary Fuse)
4	Fault	Total Power Failure

User Commands

Set/Unset System	User code
Part Set	1 + ENTER + User code
Chime on/off	2 + ENTER + User code
Test Bells	4 + ENTER + User code
Walk Test	5 + ENTER User code Repeat procedure to end test
Read Log	7 + ENTER
Omit Zone	User code + OMIT + zone number + ENTER (repeat zone number + ENTER for each zone to be omitted)